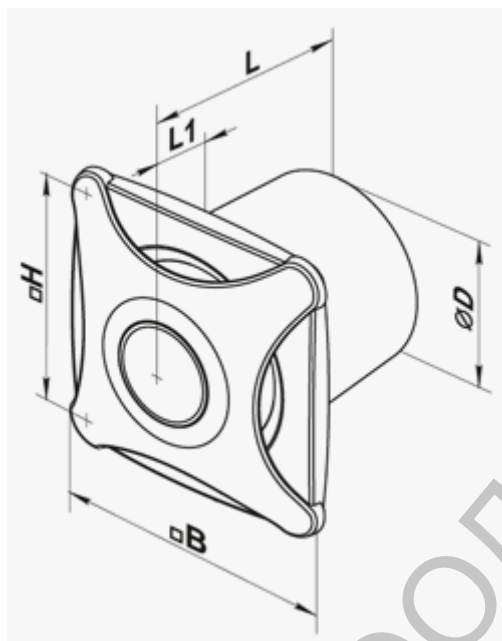


Vents 100 X



Parameter	Value	Unit
	Voltage	220-240
Frequency	50	Hz
Power	14	W
	0,014	kW
Extract capacity	89	m ³ /h
	52,421	CFM
	24,742	l/s
	0,02474	m ³ /s
Current	1486,3	l/m
	0.085	A
R.P.M.	2300	min ⁻¹
Noise level at 3 m	33	dB(A)
Weight	0.61	kg
Index of protection	IP 24	class
Dimension of connection pipe	100	mm

Vents 100 X



Sizes	ØD	B	H	L	L1
mm	100	152	120	125	30

Ташев-Галвинг ООД
www.tashev-galving.com